

Picture is for reference only

# Divider 550 TG Ultra

User's Manual  
Benutzerhandbuch  
Mode d'emploi  
Manual del usuario  
Manuale dell'utente  
Manual do Utilizador

安裝說明書  
用戶手冊  
ユーザーズマニュアル  
Руководство пользователя  
kullanıcı elkitabı  
(EEE Yönetmeliğine Uygundur)  
คู่มือการใช้งาน



© 2022 Thermaltake Technology Co., Ltd. All Rights Reserved. 2022.01  
All other registered trademarks belong to their respective companies. [www.thermaltake.com](http://www.thermaltake.com)



## TT Premium



### TT Premium

To continue achieving the corporate mission of delivering the perfect user experience, Thermaltake developed "TT Premium" with the essence of combining supreme quality products with a new logo design. TT Premium is far more than just a guarantee of quality. Behind the name, it represents the passion in DIY, Modding and Thermaltake's desire to be the most innovative brand in the PC hardware market. To satisfy the demand of the high-end PC users, TT Premium follows its core values of Excellent Quality, Unique Design, Diverse Combinations and Boundless Creativity to provide a high performance PC product for every enthusiast. <http://tppremium.com>

## Tt LCS-Liquid Cooling Support Certification



Tt LCS Certified is a Thermaltake exclusive certification applied to only products that pass the design and hardcore enthusiasts standards that a true LCS chassis should be held to. The Tt LCS certification was created so that we at Thermaltake can designate to all power users which chassis have been tested to be best compatible with extreme liquid cooling configurations to ensure you get the best performance from the best features and fitment.

## Join Tt Community To Receive Benefits



Dear Valued Customer,  
Thank you for choosing Thermaltake.  
As a new user we value your thoughts and opinions and your feedback is important to us. We at Thermaltake would like to use this opportunity to invite you to join our Community Forums. Register today to start enjoying the full benefits of our community.



### Benefits of being a member:

- Quick and responsive user support
- Receive help and advice with new builds
- Keep up to date with new product releases
- Share your thoughts and builds with the community
- Enter monthly contests and giveaways

**Brand official website**  
<http://www.thermaltake.com/>

**Global Facebook**  
<https://www.facebook.com/ThermaltakeInc>

**Taiwan Facebook**  
<http://www.facebook.com/ThermaltakeTW>

**Global community forums**  
<http://community.thermaltake.com>

# CONTENTS




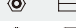


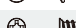






## Chapter 1. Product Introduction

1.0	Specification .....	01
1.1	Accessory .....	02
1.2	Warning and Notice .....	03

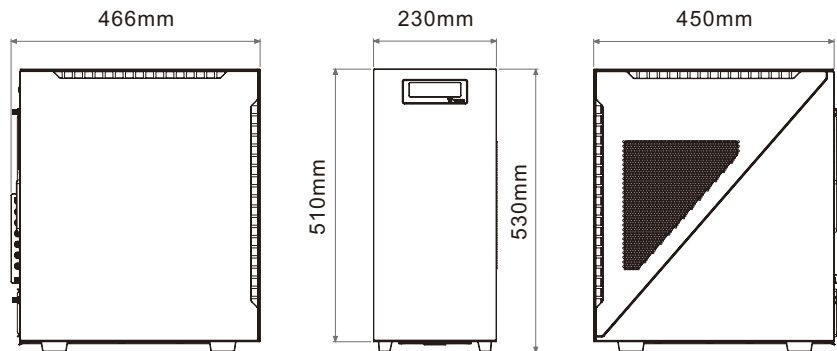
## Chapter 2. Installation Guide

2.0	Remove Components .....	06
2.1	Power Supply Unit (PSU) Installation .....	07
2.2	Motherboard Installation .....	08
2.3	3.5" & 2.5" HDD Installation .....	09
2.4	PCI Card Installation .....	11
2.5	Air Cooling Installation .....	12
2.6	AIO Liquid Cooling Installation .....	13
2.7	I/O Connection .....	14
2.8	Remove Filters .....	15
2.9	ARGB Control Instruction .....	16
2.10	TT RGB PLUS Software control interface .....	17

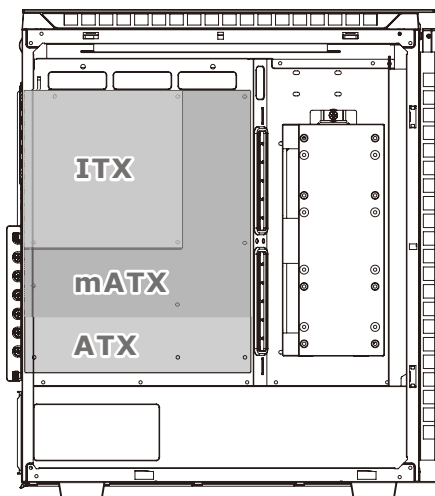
Model	Divider 550 TG Ultra
Case Type	Mid Tower
Dimension (H x W x D)	530 x 230 x 466 mm (20.9 x 9.1 x 18.3 inch)
Side Panel	Tempered Glass x 3
Color	Black
Material	SPCC
Cooling System	<b>Front (intake) :</b> 120 x 120 x 25 mm ARGB fan (1000rpm, 27.2 dBA) x 3 <b>Rear (exhaust) :</b> 120 x 120 x 25 mm fan (1200rpm, 22 dBA) x 1
Drive Bays	2 x 3.5", 5 x 2.5" or 7 x 2.5"
Expansion Slots	7 (Rotatable Patented Design)
Motherboards	6.7" x 6.7" (Mini ITX), 9.6" x 9.6" (Micro ATX), 12" x 9.6" (ATX)
I/O Port	USB 3.2 (Gen 2) Type C x 1, USB 3.0 x 2, HD Audio x 1
PSU	Standard PS2 PSU (optional)
Fan Support	<b>Front:</b> 3 x 120 mm, 2 x 120 mm, 1 x 120 mm 3 x 140 mm, 2 x 140 mm, 1 x 140 mm <b>Top:</b> 2 x 120 mm, 1 x 120 mm 2 x 140 mm, 1 x 140 mm <b>Right (M/B Side):</b> 2 x 120 mm, 1 x 120 mm <b>Rear:</b> 1 x 120 mm
Radiator Support	<b>Front:</b> 1 x 360mm, 1 x 240mm, 1 x 120mm 1 x 280mm, 1 x 140mm <b>Top:</b> 1 x 280 mm, 1 x 140 mm 1 x 240 mm, 1 x 120 mm <b>Right (M/B Side):</b> 1 x 240mm (vertical-installed GPU recommended), 1 x 120 mm <b>Rear:</b> 1 x 120mm
Clearance	CPU cooler height limitation: 170 mm VGA length limitation: 360 mm (With radiator) 390 mm (Without radiator) PSU length limitation: 180 mm (With HDD Cage) 220mm(Without HDD Cage)

Figure	Part Name	Q'ty	Use For
	Screw #6-32 x 6 mm	4	For PSU
	Screw M3 x 5 mm	40	For Motherboard / 2.5" HDD / SSD
	Screw M3 x 8.5 mm	10	For 2.5" HDD / SSD
	Stand-off #6-32 x 6.5 mm	3	Backup
	Net setter	1	For Motherboard Stand-off
	Buzzer	1	Motherboard Alarm
	Screw #6-32 x 6 mm	10	For 3.5" HDD
	Screw Ø5 x 10 mm	4	For Case Fan
	Cable Ties	10	Cable Management
	VGA Bracket	1	Backup
	Thumb Screw #6-32 x 5 mm	3	Backup
	Velcro Cable ties	3	Cable Management
	MB Signal Bridge Cable (ASUS/MSI/ASROCK/GIGABYTE)	1	LED Signal Sync

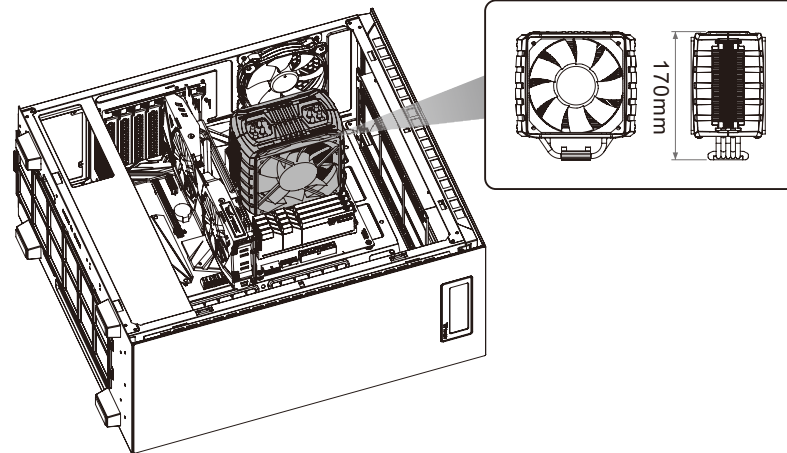
Chassis dimension



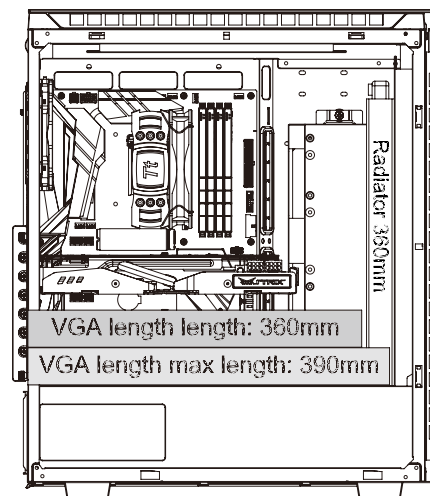
Motherboard Compatibility: ITX / mATX / ATX  
(Up to 244mm wide)



CPU cooler max height: 170mm

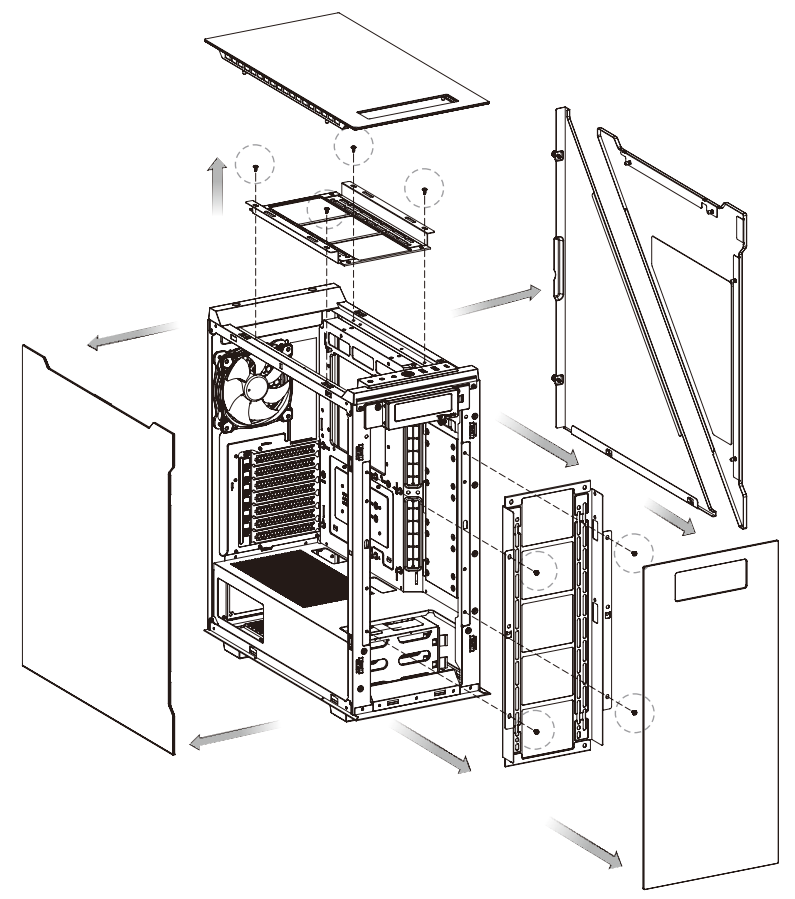
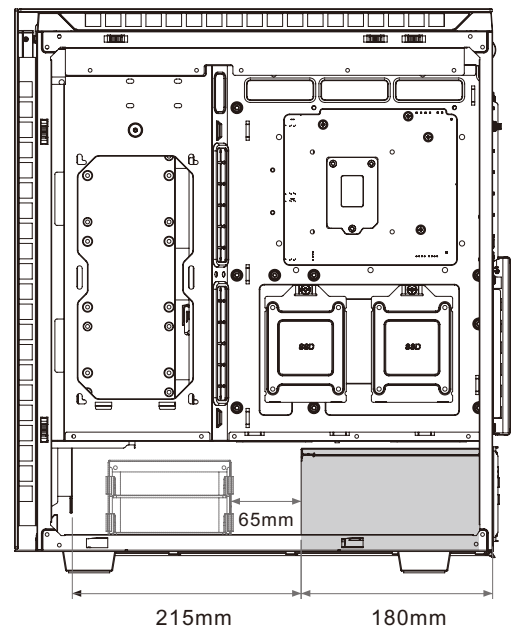


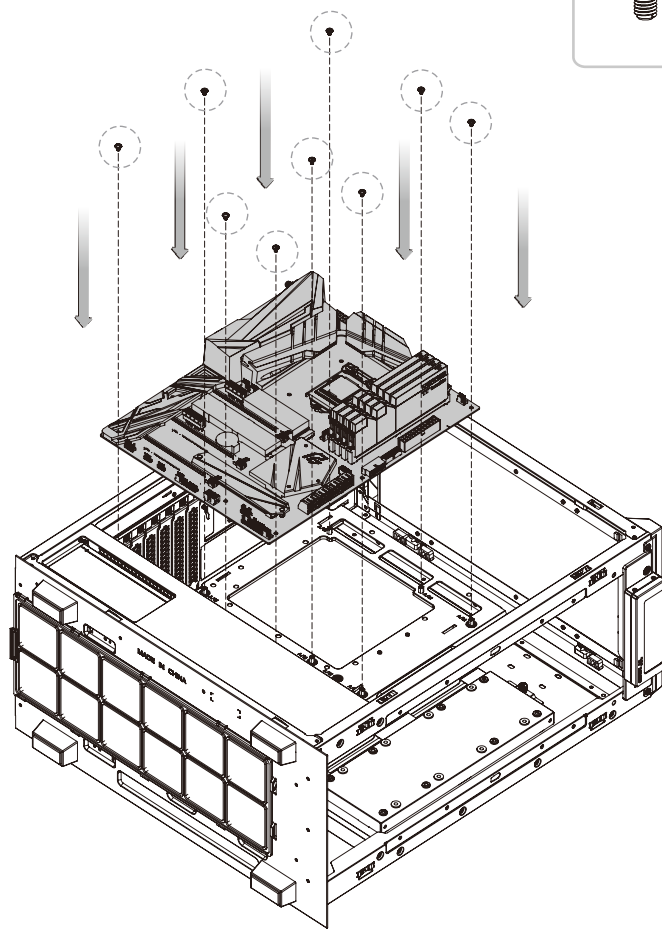
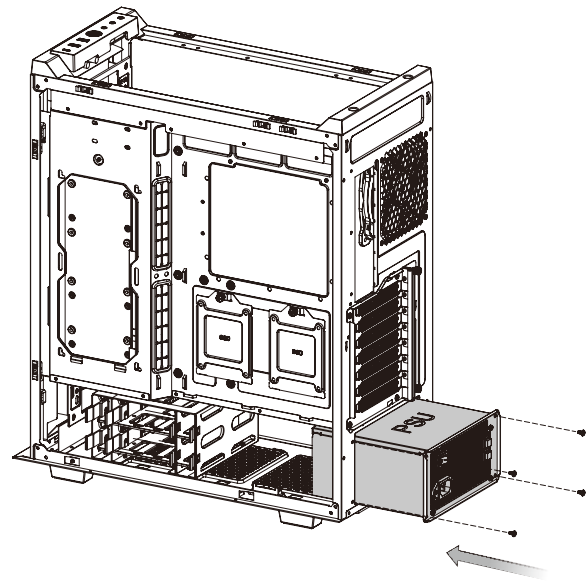
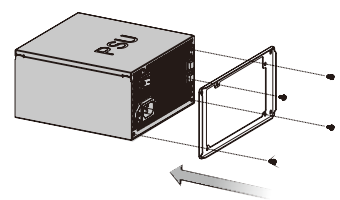
VGA length max length: 390mm

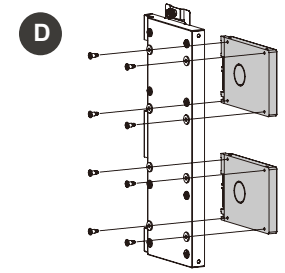
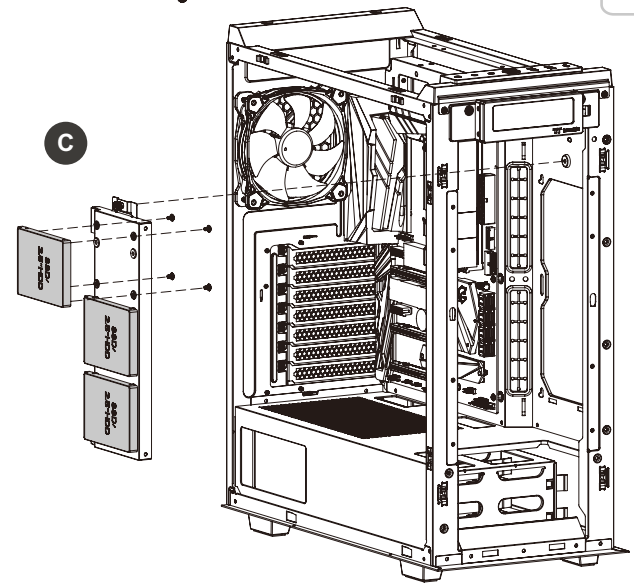
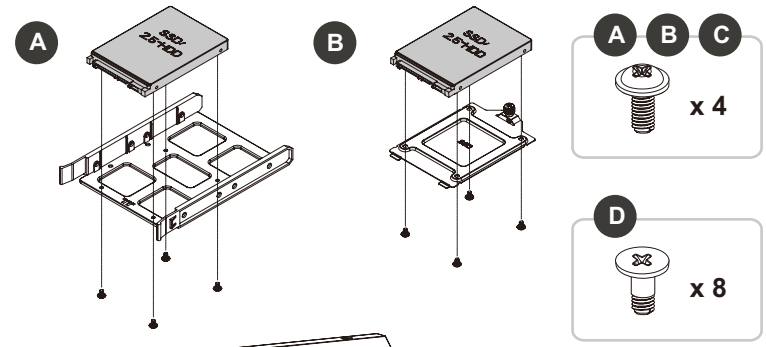
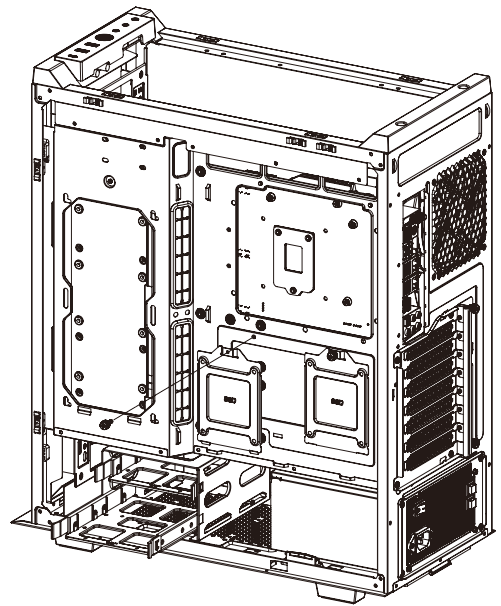
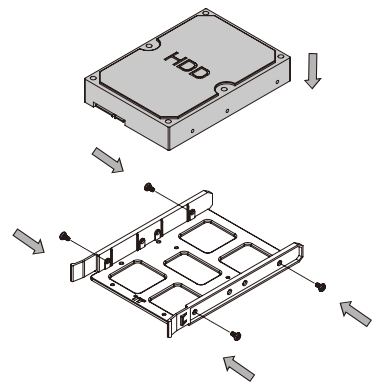
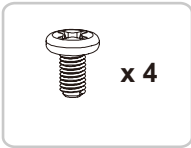


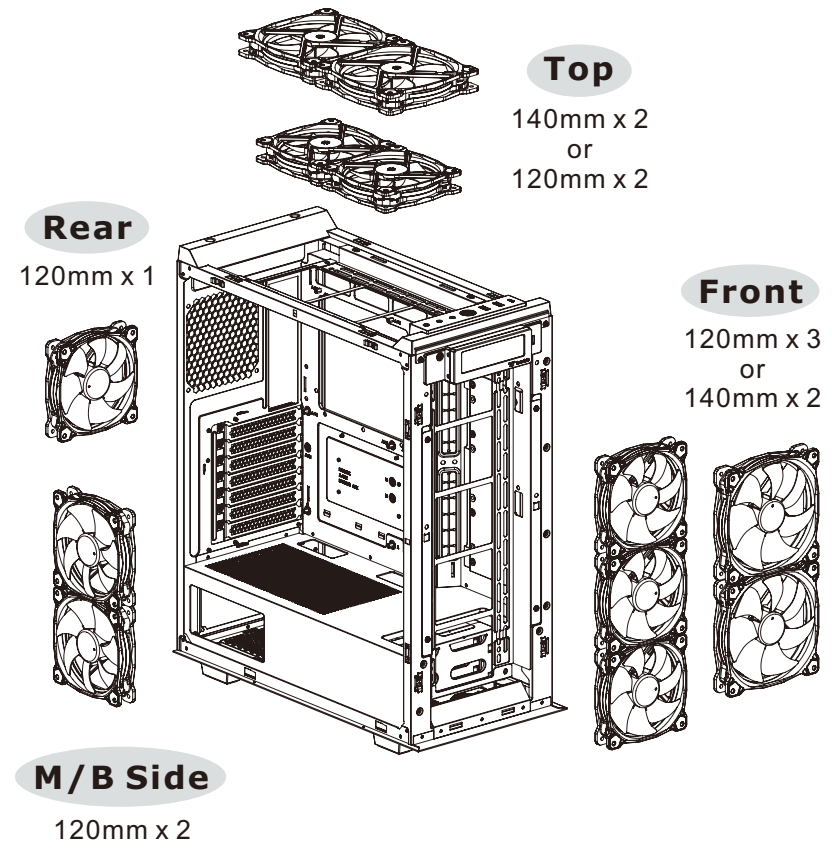
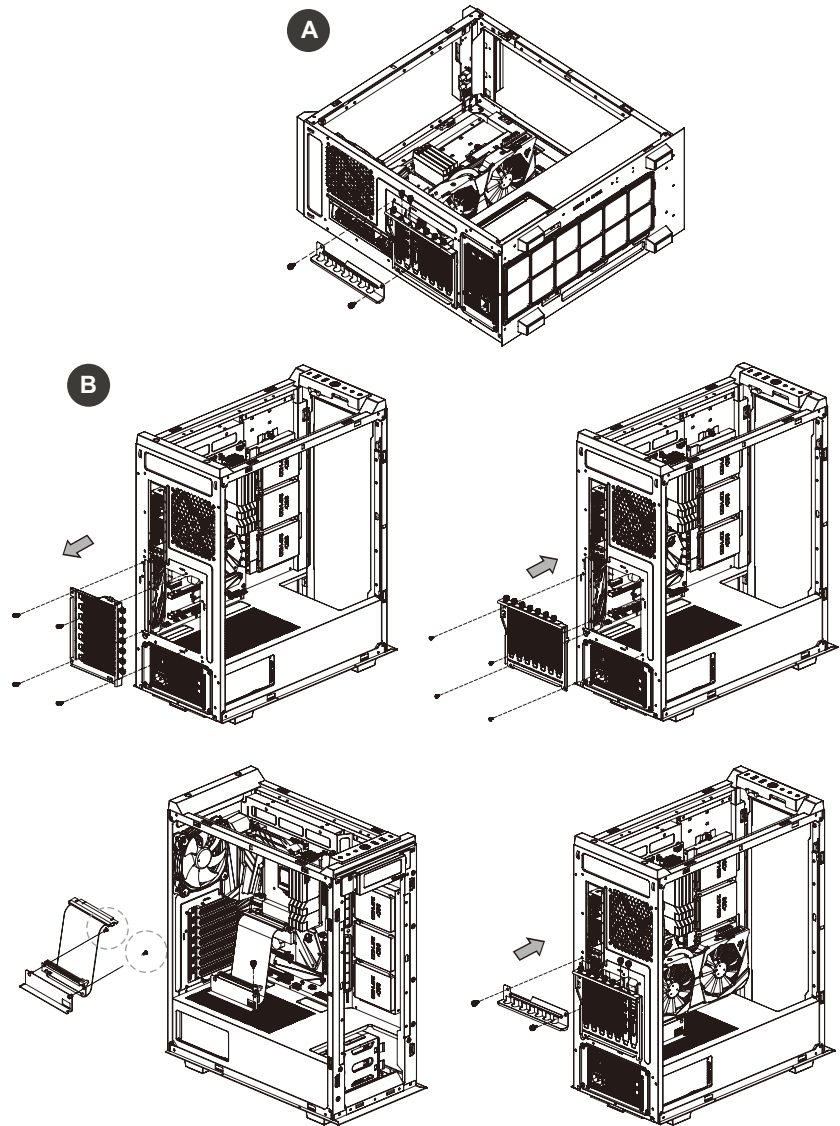


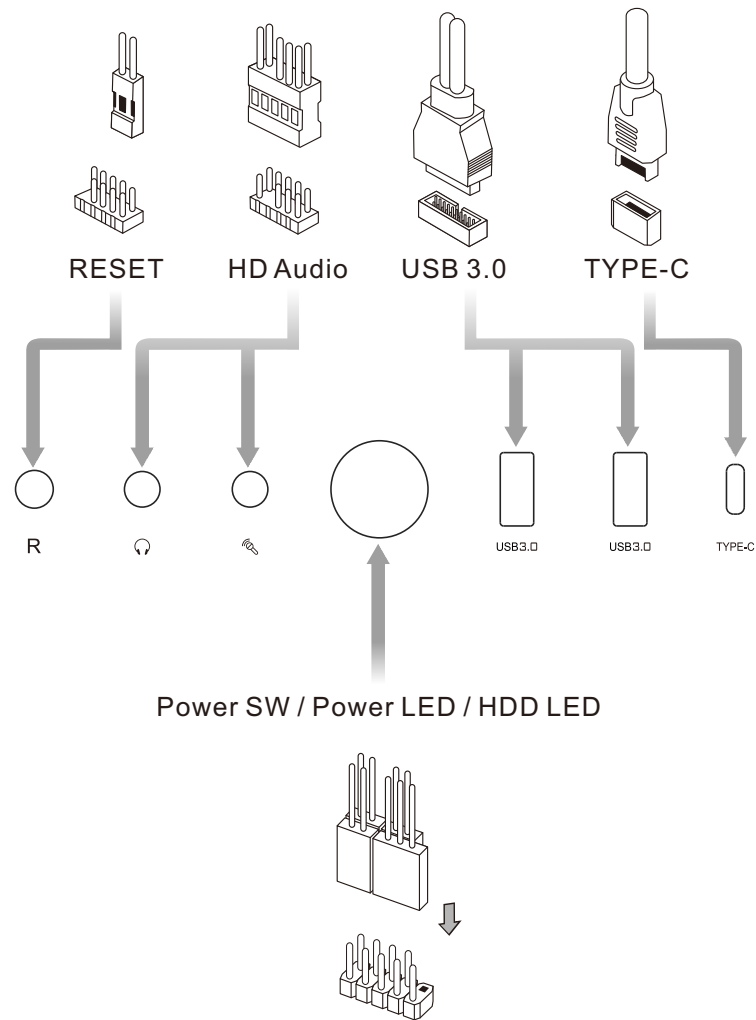
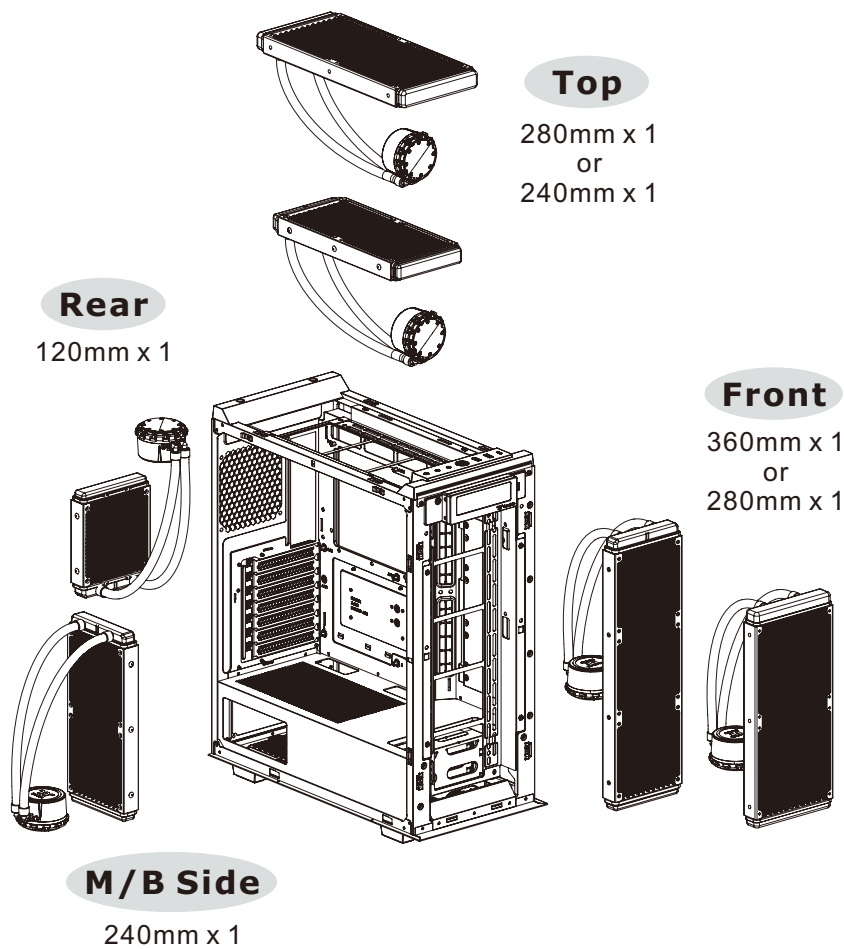
PSU max length: 180mm

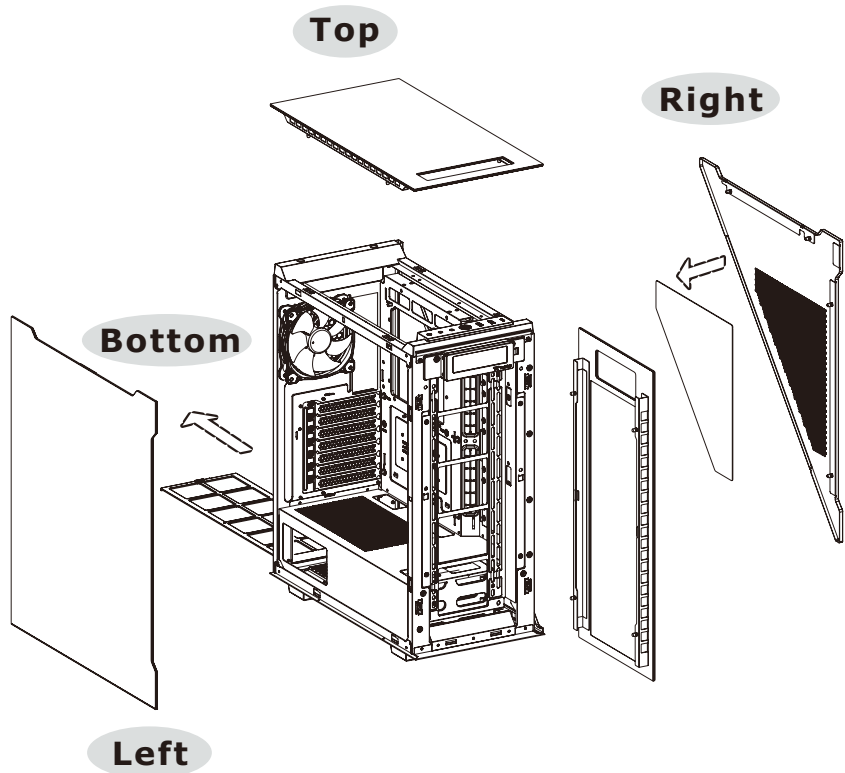




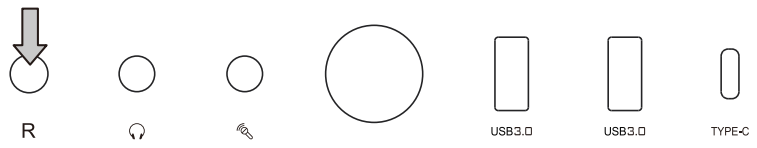








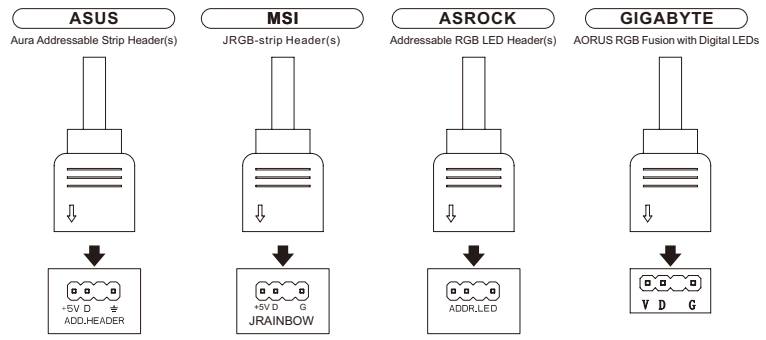
**I/O Port**



- Wave Mode** Mode 1
- Flow Mode** Mode 2
- RGB Lighting** Mode 3 (Single Color)
- Radar Mode** Mode 4~10 (Red, Yellow, Green, Cyan, Blue, White, Purple)
- Breath Mode** Mode 11~18 (RGB, Red, Yellow, Green, Cyan, Blue, White, Purple)
- Full Lighted Mode** Mode 19
- Single Color** Mode 20~26 (Red, Yellow, Green, Cyan, Blue, White, Purple)
- Light Off** Mode 27

※ Long press on RGB button for 3 seconds, fan will blink twice which now are controlled by MB software. And vice versa.

**How to connect MB**

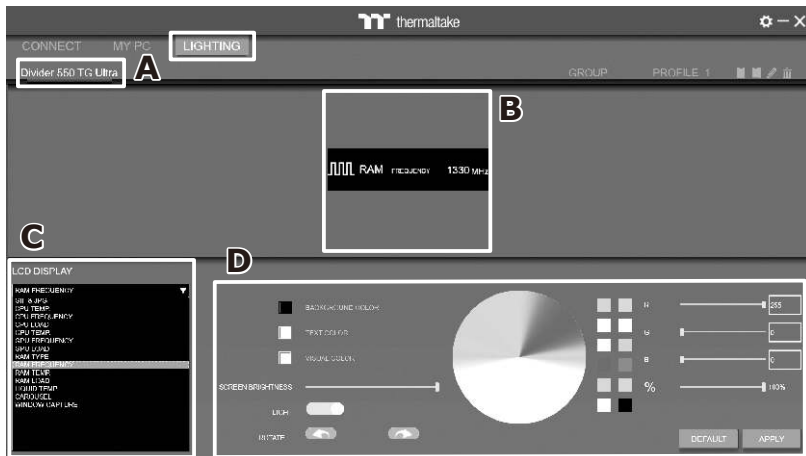


Please download TT RGB PLUS from Thermaltake's Official website.  
<https://www.thermaltake.com/downloads>  
 OS compatibility: Windows 10

## TT RGB PLUS Software User Interface

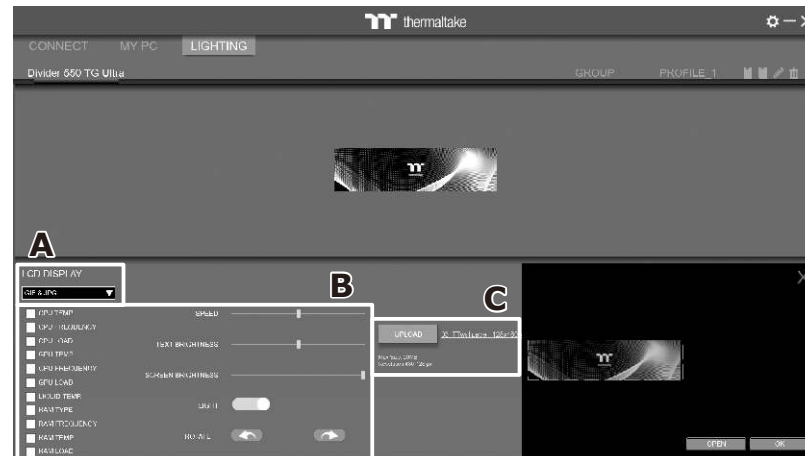
### Divider 550 TG Ultra LCD Monitor

#### LIGHTING



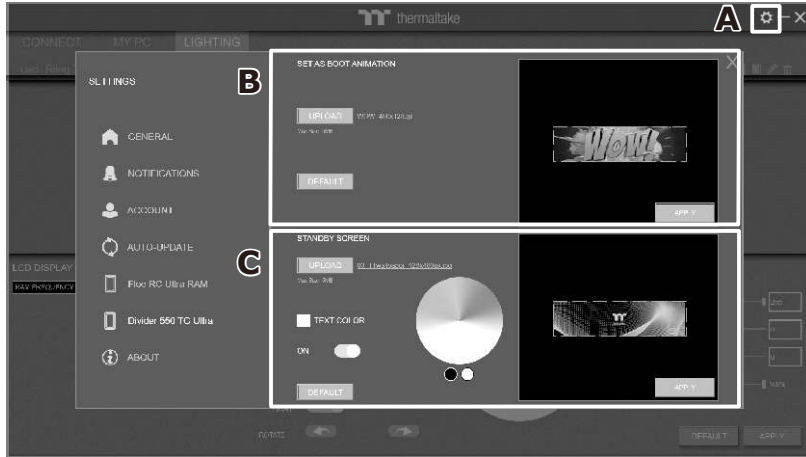
- A. After installation of TT RGB PLUS, you can select "Divider 550 TG Ultra" on the "LIGHTING" page.
- B. Preset the **Divider 550 TG Ultra** LCD.
- C. LCD DISPLAY function list.
  - GIF & JPG (Upload picture to LCD display)
  - CPU TEMP.
  - CPU FREQUENCY
  - CPU LOAD
  - GPU TEMP.
  - GPU FREQUENCY
  - GPU LOAD
  - RAM TYPE
  - RAM FREQUENCY
  - RAM TEMP.
  - RAM LOAD
  - LIQUID TEMP.
  - CAROUSEL (Switches between Memory/Liquid information)
  - WINDOW CAPTURE
- D. LCD visual effect settings.  
 Set LCD display background, text and visual color, rotate the LCD screen or turn off LCD.

#### GIF & JPG



- A. Select "GIF & JPG" form "LCD DISPLAY".  
 You can upload a GIF or JPG file to show the picture on the LCD screen.
- B. Set the LCD display text information, speed and brightness, rotate the LCD screen or turn off LCD.
- C. Click "UPLOAD" to upload the picture. (GIF and JPG files only)

## SETTINGS



- A. Click the gear icon on the upper right corner to enter the “SETTINGS” menu.
- B. Upload the picture to set as LCD boot animation. (GIF only)
- C. Upload the picture to set as LCD standby screen. (JPG only)



Software interface may vary with feature update,  
please download the latest user manual from our  
[www.thermaltake.com](http://www.thermaltake.com)